



ACCESSORIES

ACCESSORIES FOR DIFFERENT APPLICATION'S NEEDS

From connectors to couplings, Eltra offers a comprehensive range of accessories to satisfy generic and specific application requirements.

Perfectly matching the corresponding transducers, these accessories provide the basis for a cost-effective integration within your system.

STANDARD ELASTIC COUPLINGS

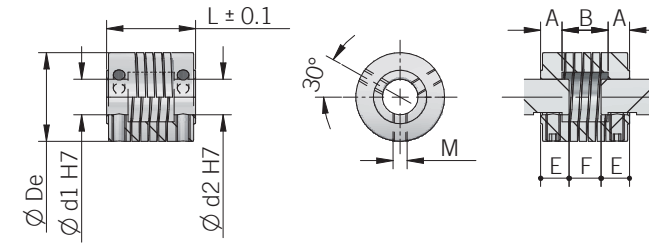
Eltra elastic couplings are essential parts for the motion transmission to the encoder shaft. The couplings are made with aluminium alloy and are composed by a cylindrical body with an helical groove that determines:

- torsional rigidity
- ability to compensate for slight shaft misalignments
- ability to absorb shaft axial play

Elastic coupling can be supplied with different coupling diameters.



MECHANICAL DIMENSIONS



For proper installation it is recommended to insert shafts in the coupling observing "E" dimensions

dimensions in mm

ORDERING CODE

G	25	A	6 / 8
<p>SERIES precision elastic coupling G</p> <p>MODEL 20 / 23 / 25 / 30 refer to the table for available P/N</p> <p>SHAFT FIXING TYPE shaft fixing with grub screw A</p> <p>HOLE DIAMETER d1 4 ... 10 mm 6</p> <p>(DO NOT ADD IF d2 = d1) HOLE DIAMETER d2 6 ... 14 mm 8</p>			

STANDARD COUPLINGS

	P / N	Material	De	L	d1	d2	A	B	M	E	F	Torque (Nm)
G20A4/6	94070087	aluminium	20	20	4	6	6	8	M3	7	6	0,25
G20A6	94070006	aluminium	20	20	6	6	6	8	M3	7	6	0,25
G23A6/8	94070092	aluminium	23,5	20	6	8	6	8	M4	7	6	0,3
G23A6/10	94070093	aluminium	23,5	20	6	10	6	8	M4	7	6	0,3
G23A8/11	94070212	aluminium	23,5	20	8	11	6	8	M4	7	6	0,3
G23A10	94070095	aluminium	23,5	20	10	10	6	8	M4	7	6	0,3
G25A6	94070042	aluminium	25	25	6	6	7	11	M4	8	9	0,4
G25A6/8	94070024	aluminium	25	25	6	8	7	11	M4	8	9	0,4
G25A6/10	94070023	aluminium	25	25	6	10	7	11	M4	8	9	0,4
G25A8	94070026	aluminium	25	25	8	8	7	11	M4	8	9	0,4
G25A8/10	94070027	aluminium	25	25	8	10	7	11	M4	8	9	0,4
G25A8/11	94070104	aluminium	25	25	8	11	7	11	M4	8	9	0,4
G25A9,52	94070030	aluminium	25	25	9,52 (3/8")	9,52 (3/8")	7	11	M4	8	9	0,4
G25A9(H7)	94070150	aluminium	25	25	9	9	7	11	M4	8	9	0,4
G 25 A 10	94070012	aluminium	25	25	10	10	7	11	M4	8	9	0,4
G25A10/12	94070014	aluminium	25	25	10	12	7	11	M4	8	9	0,4
G25A11	94070067	aluminium	25	25	11	11	7	11	M4	8	9	0,4
G30A6	94070113	aluminium	25	30	6	6	8	14	M4	9	12	0,4
G30A6/8	94070037	aluminium	25	30	6	8	8	14	M4	9	12	0,4
G30A6/10	94070034	aluminium	25	30	6	10	8	14	M4	9	12	0,4
G30A6,35/14	94070197	aluminium	25	30	6,35 (1/4")	14	8	14	M4	9	12	0,4
G30A8	94070036	aluminium	25	30	8	8	8	14	M4	9	12	0,4
G30A10	94070051	aluminium	25	30	10	10	8	14	M4	9	12	0,4

please directly contact our offices for other holes diameter, preferred P/N in bold

SPECIAL APPLICATION COUPLINGS

Special application couplings are designed to meet extreme coupling conditions such as high torque or severe axial or radial play. Please refer to single product description to identify right elastic coupling for your application.

GS-DA SERIES

GS-DA series are double loop plastic coupling with medium torsional stiffness, low restoring forces with impact and vibration damping effect. It allows a smooth running, maintenance-free motion and a reliable compensation of radial, lateral and angular misalignments. It is also thermally and electrically insulated.

GS-EA SERIES

GS-EA series are heavy duty helix coupling for multi-purpose use for backlash-free and angularly aligned transmission of rotary motions with high torsional stiffness with medium restoring forces. It gives vibration-damping effect and optimum compensation of misalignments. It is produced from a single piece and has clamping hubs for shaft connections without causing any surface defects.

GS-EP SERIES

GS-EP series are low-cost shaft couplings manufactured using injection moulding technology with medium torsional stiffness, low restoring forces and vibration damping effect. Metal inserts in the hubs allows reliable shaft connection and thanks to free slot area the shafts may project into the coupling. It is also electrically insulated.

GS-M SERIES

GS-M series are multi-purpose couplings used for backlash-free transmission of rotary motions with high vibration-damping effect, good compensation of misalignments and low torsional stiffness and low restoring forces. It has no moving parts, very robust design.

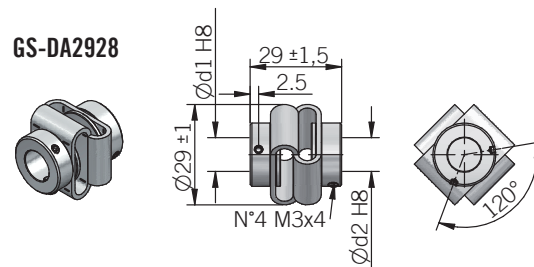
GS-O SERIES

GS-O series are elastic couplings where rotation is transmitted through a central disc that slides over the tenons on the hubs under controlled preload conditions to eliminate backlash. These couplings provide generous radial compensation and easy maintenance.

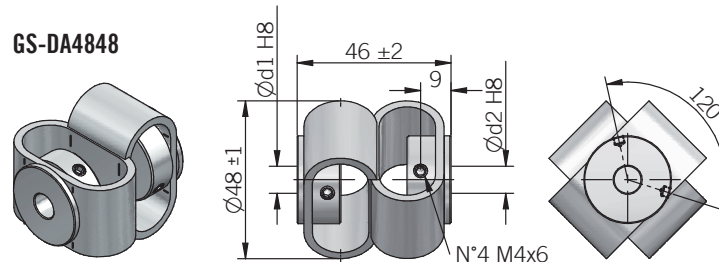
GS-S SERIES

GS-S series are bellows couplings for backlash-free and angularly aligned transmission with high vibration-damping effect, optimum compensation of misalignments with very high torsional stiffness and low restoring forces. Design is very robust due to stainless steel bellows and also has clamping hubs for shaft connections without causing any surface defects.

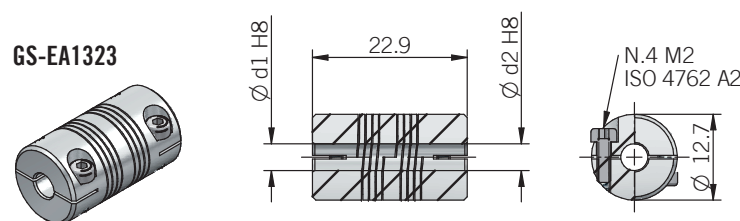
GS-DA2928



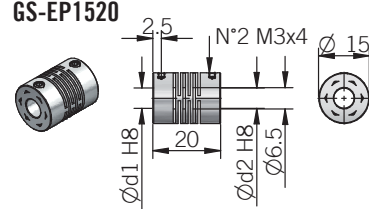
GS-DA4848



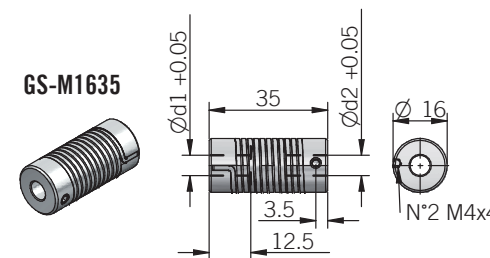
GS-EA1323



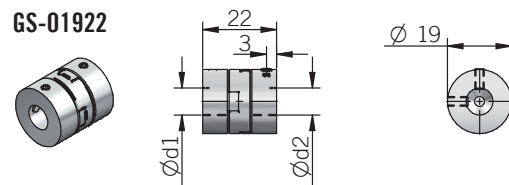
GS-EP1520



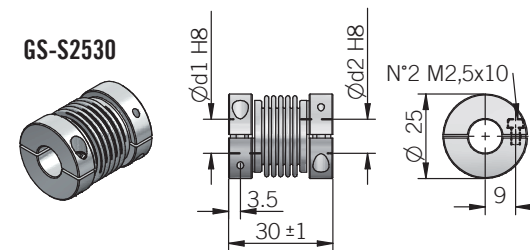
GS-M1635



GS-O1922



GS-S2530



dimensions in mm

SPECIAL APPLICATION ELASTIC COUPLINGS ORDERING CODE

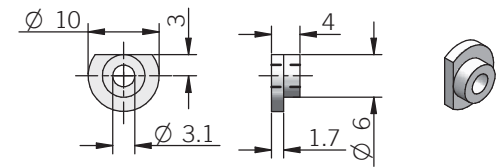
	P / N	Description
GS-DA2928-6 (former GS32A6)	94070188	Double loop plastic coupling 29 x 28 mm (ø 6 / 6 mm hole)
GS-DA2928-8 (former GS01A8)	94070050	Double loop plastic coupling 29 x 28 mm (ø 8 / 8 mm hole)
GS-DA2928-10 (former GS11A10)	94070091	Double loop plastic coupling 29 x 28 mm (ø 10 / 10 mm hole)
GS-DA4848-10 (former GS15A10)	94070112	Double loop plastic coupling 48 x 48 mm (ø 10 / 10 mm hole)
GS-EA1323-4 (former G13A4)	94070219	Aluminium coupling 13 x 23 mm (ø 4 / 4 mm hole)
GS-EP1520-6 (former GS21A6)	94070143	Plastic coupling with helical groove 15 x 20 mm (ø 6 / 6 mm hole)
GS-EP1520-4 (former GS22A4)	94070149	Plastic coupling with helical groove 15 x 20 mm (ø 4 / 4 mm hole)
GS-M1635-8 (former GS13A8)	94070115	Spring coupling 16 x 35 mm (ø 8 / 8 mm hole)
GS-M1635-10 (former GS30A10)	94070184	Spring coupling 16 x 35 mm (ø 10 / 10 mm hole)
GS-O1922-6 (former GS02A6)	94070061	Decomposable coupling Oldham 19 x 22 mm (ø 6 / 6 mm hole)
GS-O1922-10 (former GS16A10)	94070117	Decomposable coupling Oldham 19 x 22 mm (ø 10 / 10 mm hole)
GS-O1922-10/12 (former GS41A10/12)	94070218	Decomposable coupling Oldham 19 x 22 mm (ø 10 / 12 mm hole)
GS-S2530-10 (former GS25A10)	94070171	High pulses bellows coupling 25 x 30 mm (ø 10 / 10 mm hole)

please directly contact our offices for other models

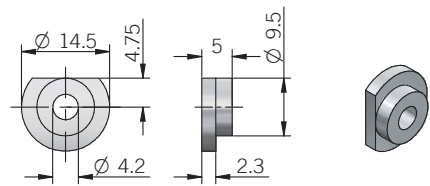
TECHNICAL DATA

	DA2928	DA4848	EA1323	EP1520	M1635	O1922	S2530
Max speed (rpm)	3000	3000	5000	12000	3000	3000	10000
Max torque (Nm)	0,5	2	2	0,3	0,5	1,7	2
Max offset radial (mm)	± 2	± 3	± 0,17	± 0,3	± 1	± 0,2	± 0,3
Max offset axial (mm)	± 2	± 4	± 0,25	± 0,2	± 1	± 0,1	± 0,4
Max offset angular (°)	± 10	± 12	± 5	± 2,5	± 5	± 0,5	± 4
Moment of inertia (gcm²)	41	106	1,2	2	10	6,7	29,8
Max clamping torque (Nm)	1	1	0,3	0,7	1,5	0,94	1
Temperature range	-30° ... +80°C (-22° ... +176°F)	-30° ... +80°C (-22° ... +176°F)	-40° ... +140°C (-40° ... +284°F)	-10° ... +80°C (14° ... +176°F)	-30° ... +120°C (-22° ... +248°F)	-20° ... +60°C (-4° ... +140°F)	-30° ... +120°C (-22° ... +248°F)
Weight (g) (oz)	33 (1,16)	85 (3,00)	5 (0,18)	6 (0,21)	28 (0,99)	12 (0,42)	20 (0,71)
Flange material	steel galvanized	steel galvanized	aluminium	PA 66 glass fiber reinforced	zinc die casting	aluminium	aluminium
Insert material	poliurethan	poliurethan	aluminium	aluminium	spring steel	acetal	stainless steel

FIXING CLAMPS

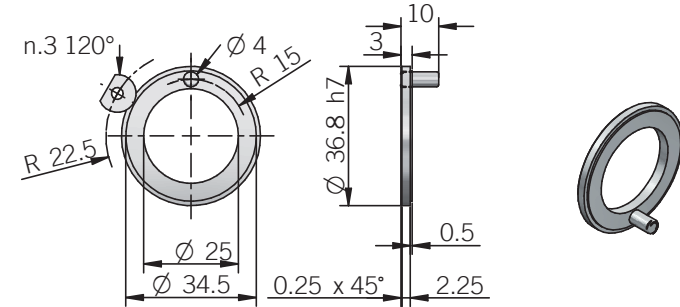


Description	P/N	Material	Scope of delivery	Applicable to model
kit n.3 fixing clamps	94080011	EN-AW 2011 aluminum	n.3 fixing clamps	36B - 36K

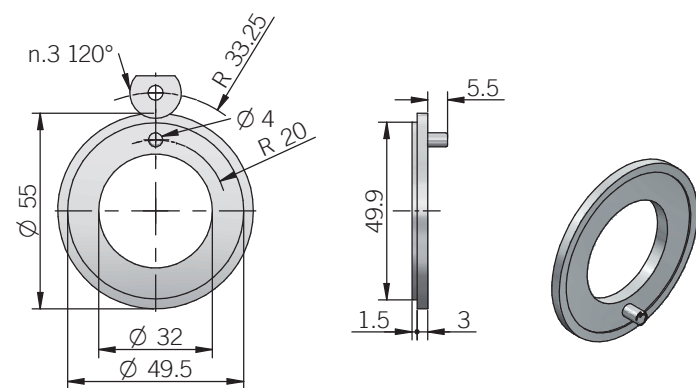


Description	P/N	Material	Scope of delivery	Applicable to model
kit n.3 fixing clamps	94080001	EN-AW 2011 aluminum	n.3 fixing clamps	40A IP66 - 40N - 40X - 49C/P - 50A/B - 58B - 63A - 80A - 90A

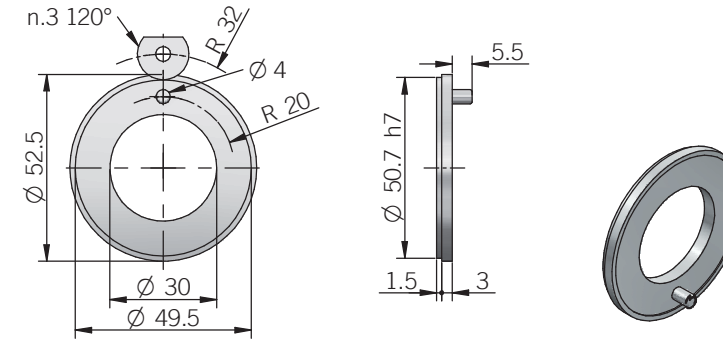
MECHANICAL FLANGES



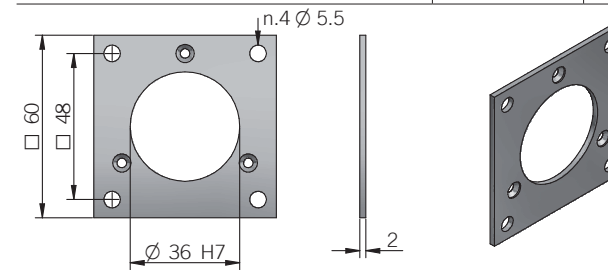
Description	P/N	Material	Scope of delivery	Applicable to model
FLG004 - resolver flange size 15	94010076	EN-AW 2011 aluminum	n.1 flange	36K



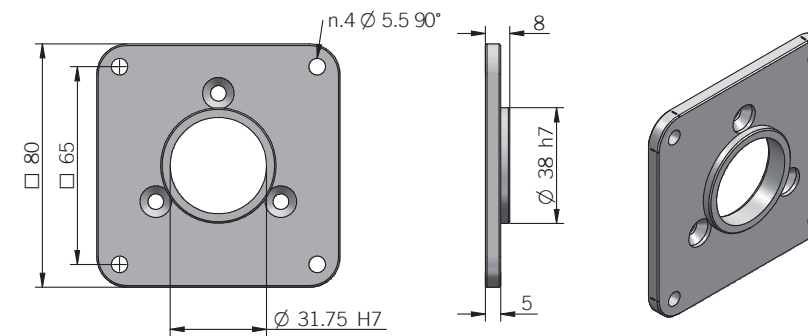
Description	P/N	Material	Scope of delivery	Applicable to model
FLG000 - resolver flange size 19 (01 version)	94010087	EN-AW 2011 aluminum	n.1 flange	49C/P



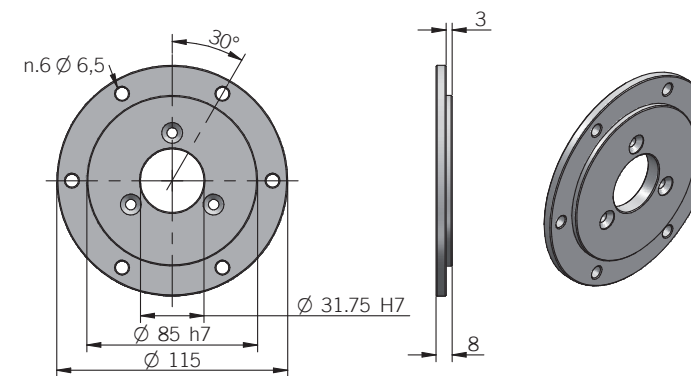
Description	P/N	Material	Scope of delivery	Applicable to model
FLG001 - resolver flange size 19 (14 version)	94010065	EN-AW 2011 aluminum	n.1 flange	49C/P



Description	P/N	Material	Scope of delivery	Applicable to model
58C square flange	94990048	EN-AW 2011 aluminum	n.1 58C square flange n.3 M3x6 screws	58C

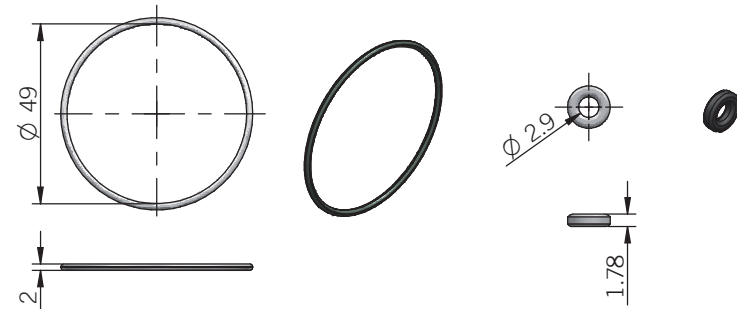


Description	P/N	Material	Scope of delivery	Applicable to model
63A square flange	94990049	EN-AW 2011 aluminum	n.1 63A square flange n.3 M5x10 screws	63A



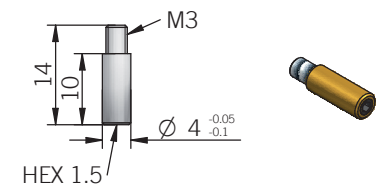
Description	P/N	Material	Scope of delivery	Applicable to model
63A RE0-444 flange	94990050	EN-AW 2011 aluminum	n.1 63A RE0-444 flange n.3 M5x10 screws	63A

ORING KIT

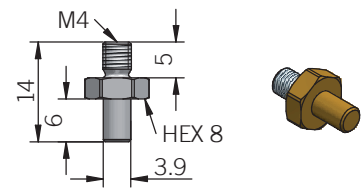


Description	P/N	Material	Scope of delivery	Applicable to model
EH30 IP54 kit	94990053	NBR	n.1 OR 49x2 n.2 OR 2012	30M - 30MH

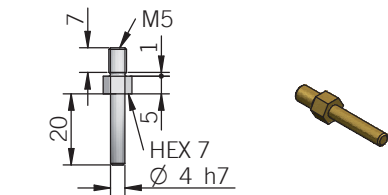
TORQUE PINS



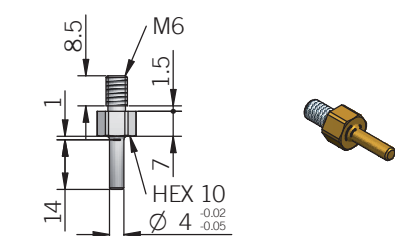
Description	P/N	Material	Scope of delivery	Applicable to model
M3 4 mm torque pin	41890426	Brass	n.1 torque pin	63F - 63FB - 63PBF - 63PCF



Description	P/N	Material	Scope of delivery	Applicable to model
M4 3,9 mm torque pin	94080010	Brass	n.2 torque pins	88PE

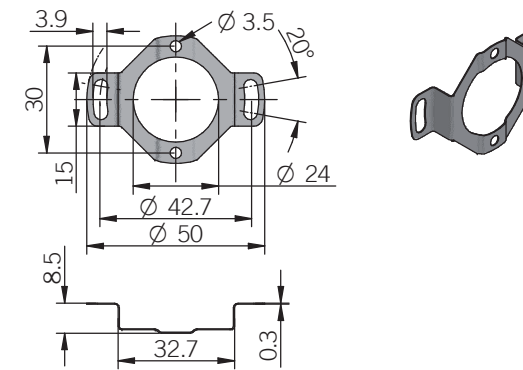


Description	P/N	Material	Scope of delivery	Applicable to model
M5 4mm torque pin	23240008	Brass	n.1 torque pin	80C - 80K - 80P - 80PG



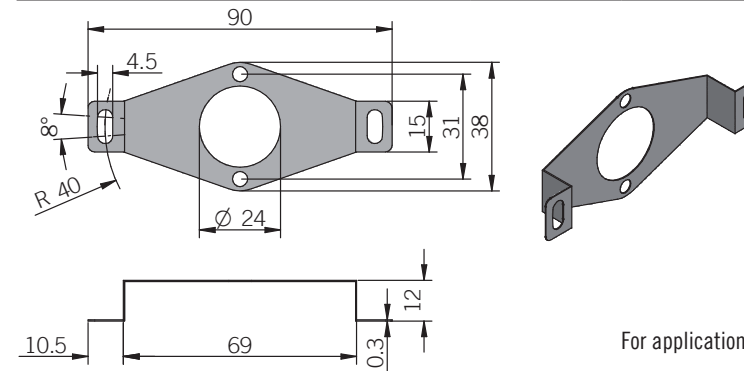
Description	P/N	Material	Scope of delivery	Applicable to model
M6 4mm torque pin	41890420	Brass	n.1 torque pin	63F - 63FB - 63PBF - 63PCF

TORQUE SUPPORTS



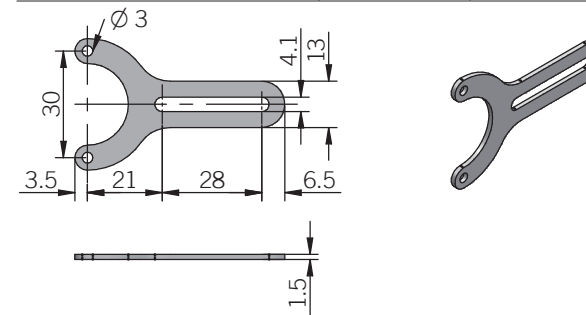
For applications with high dynamics and moderate axial play and low radial play

Description	P/N	Material	Scope of delivery	Applicable to model
ø 42,7 mm elastic spring	94990046	1.4310 AISI 301	n.1 encoder spring n.2 M3x4 screws	38F



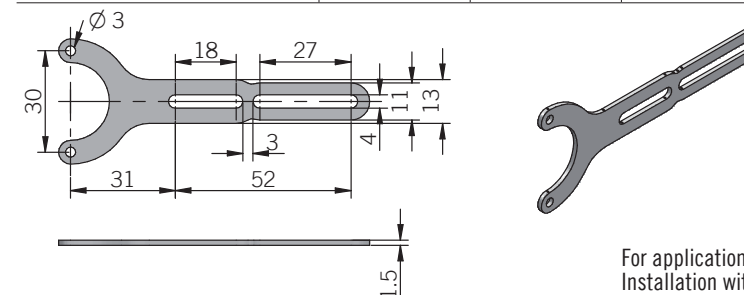
For applications with high dynamics and moderate axial play and low radial play

Description	P/N	Material	Scope of delivery	Applicable to model
ø 80 mm elastic spring	94990047	1.4310 AISI 301	n.1 encoder spring n.2 M3x4 screws	36F - 38F



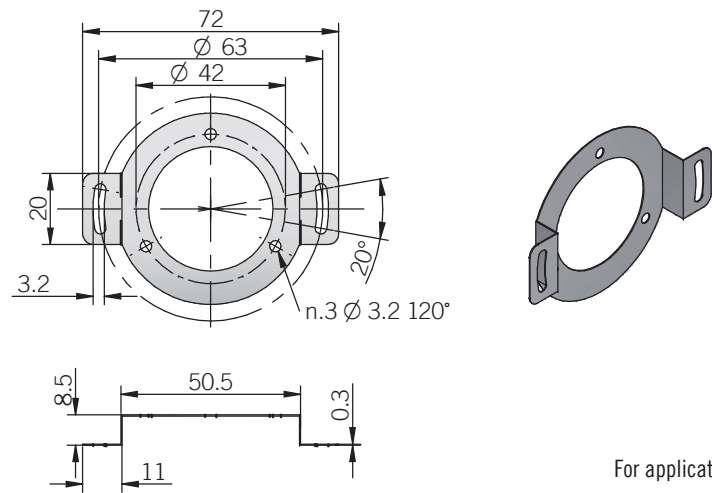
For applications with low dynamics and high axial play and low radial play. Installation with ø 4 mm cylindrical pin. Do not install with rigid fixing (e.g. screw)

Description	P/N	Material	Scope of delivery	Applicable to model
38F bracket kit 21 ... 49 mm	94990054	Stainless steel	n.1 bracket n.2 M3x4 screws	36F - 38F



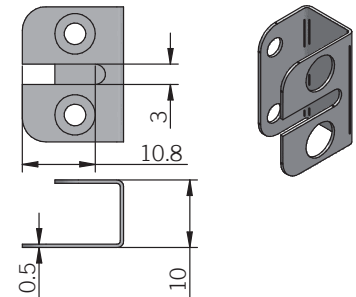
For applications with low dynamics and high axial play and low radial play. Installation with ø 4 mm cylindrical pin. Do not install with rigid fixing (e.g. screw)

Description	P/N	Material	Scope of delivery	Applicable to model
38F bracket kit 31 ... 83 mm	94990045	Stainless steel	n.1 bracket n.2 M3x4 screws	36F - 38F



For applications with high dynamics and moderate axial play and low radial play

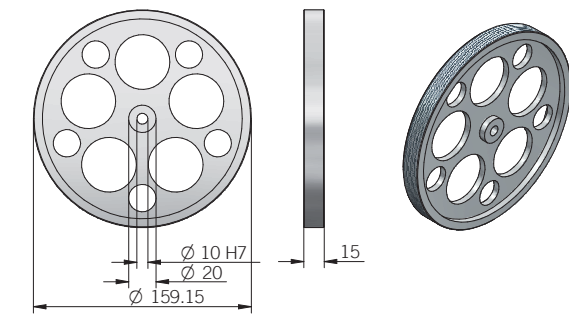
Description	P/N	Material	Scope of delivery	Applicable to model
∅ 63 mm elastic spring	94990022	1.4310 AISI 301	n.1 encoder spring n.2 M3x4 screws	63FB - 63GB - 63PB - 63PBF - 63PC - 63PCF



For applications with low dynamics and high axial play and low radial play. Installation with ∅ 3 mm cylindrical pin. Do not install with rigid fixing.

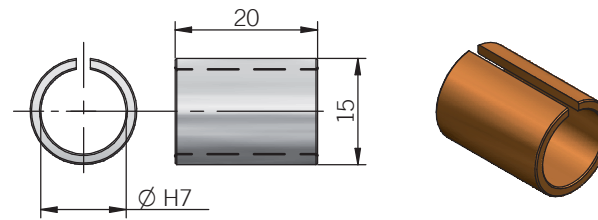
Description	P/N	Material	Scope of delivery	Applicable to model
88P-88PE torque stop kit	94990051	1.4310 AISI 301	n.1 torque stop n.2 M3x4 screws	88P - 88PE

MEASURING WHEELS

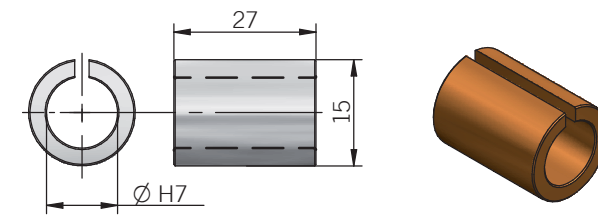


Description	P/N	Material	Scope of delivery	Applicable to model
Measuring wheel weight 260 g (9,17 oz)	44030108	EN-AW 2011 aluminum	n.1 measuring wheel n.1 M5x16 screw	RL - RM 500

SHAFT ADAPTERS



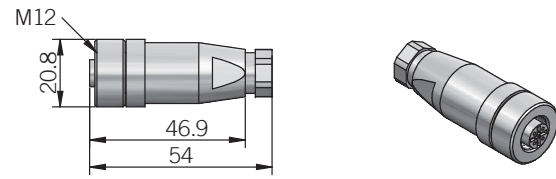
Description	P/N	Material	Scope of delivery	Applicable to model
Shaft adapter 15/12 mm	41890393	Bronze	n.1 shaft adapter	EAR 58F - 63F - 63G EAL 58F - 63F - 63G EAMR 58F - 63F - 63G EAML 58F - 63F - 63G
Shaft adapter 15/11 mm	41890400			
Shaft adapter 15/10 mm	41890392			
Shaft adapter 15/9,52 mm (3/8")	41890396			
Shaft adapter 15/8 mm	41890395			
Shaft adapter 15/6 mm	41890394			



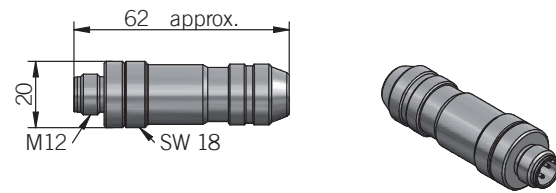
Description	P/N	Material	Scope of delivery	Applicable to model
Shaft adapter 15/12 mm	41890398	Bronze	n.1 shaft adapter	AAM 58F - 58FR
Shaft adapter 15/10 mm	41890399			

For further shaft adapter diameters please directly contact our offices

CONNECTORS

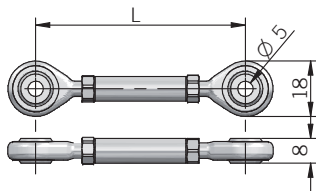


Description	P/N	Material	Termination	Scope of delivery	Applicable to model
M12 female connector for power supply (POWER)	22030091	Plastic	Screw	n.1 female M12 A coded connector	AAM 58 PFN - ETC



Description	P/N	Material	Termination	Scope of delivery	Applicable to model
M12 male connector for I/O	22030152	Metal	Screw	n.1 female M12 D coded connector	AAM 58 PFN - ETC

TORQUE ARMS



For applications with low axial and radial play

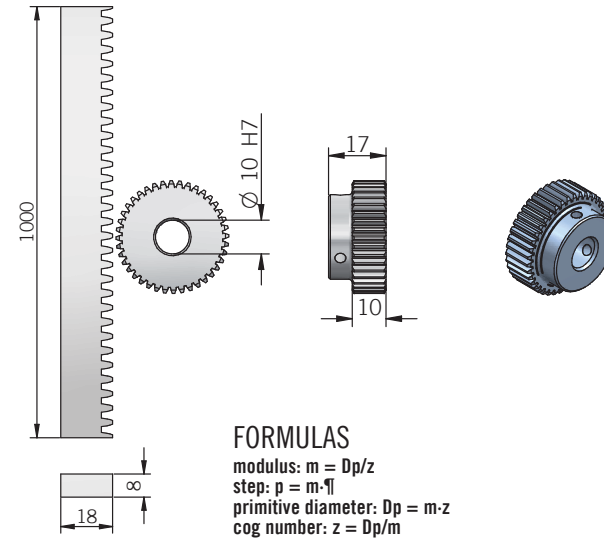
Length

- SN5A30 L = 80 ± 10mm
- SN5A60 L = 110 ± 10mm
- SN5A90 L = 140 ± 10mm

Description	P/N	Material	Scope of delivery	Applicable to model
SN5A30	94010061	Steel	n. 1 torque arm n. 2 M5 x 12 UNI ISO 7380	88PET - 120P
SN5A60	94010070			
SN5A90	94010071			

EC34 ACCESSORIES

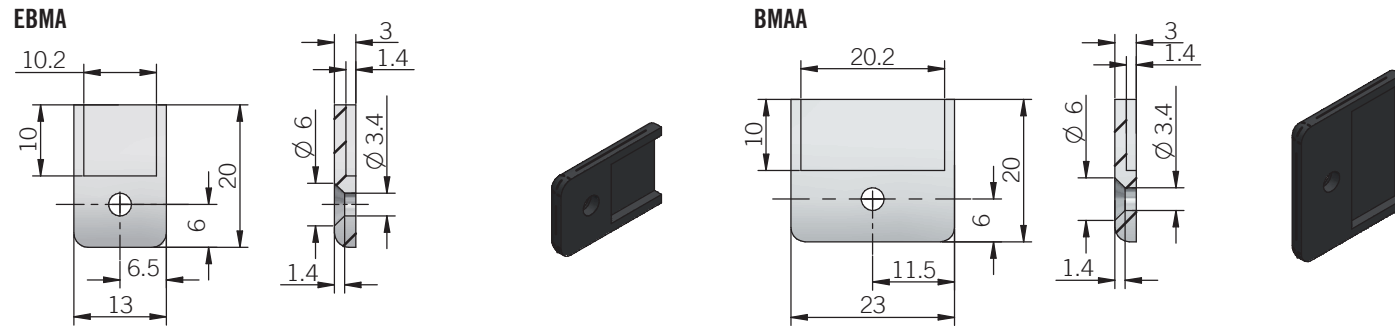
Rack and cogged wheel
 $p = 2,5$ $z = 40$ $m = 0,796$



dimensions in mm

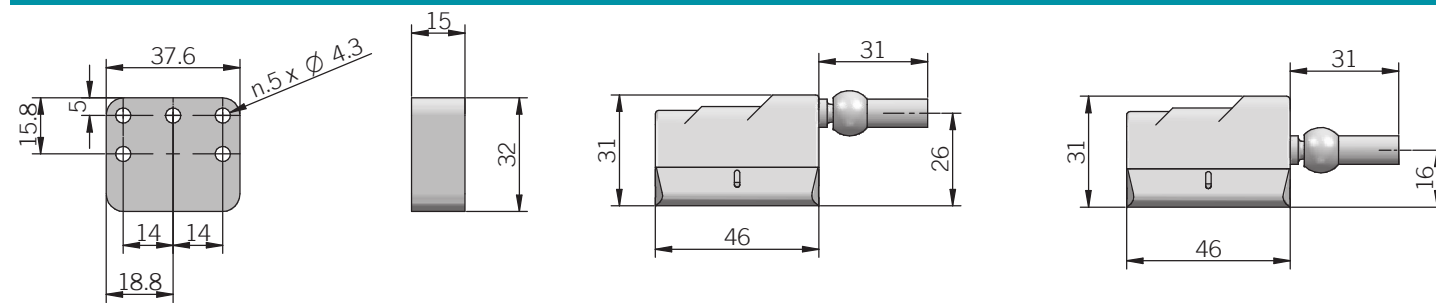
Description	P/N	Material	Scope of delivery	Applicable to model
Cogged wheel $M = 0,796 / P = 2,5 / Z = 40$	94080003	C45 steel	n.1 cogged wheel	34A
Rack $P = 2,5 / 1m$ length	23280006		n.1 1m P 2,5 rack	

CLIPS FOR MAGNETIC TAPE



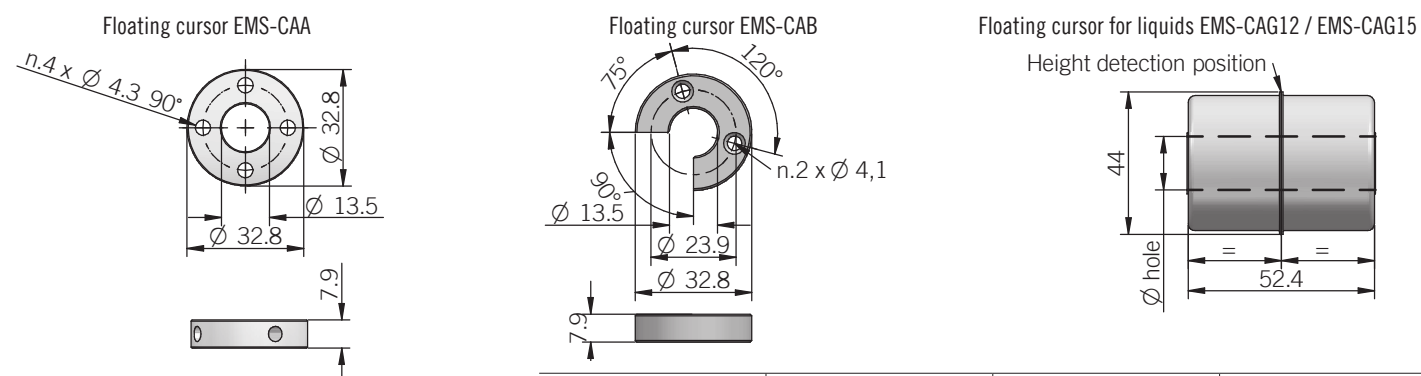
Description	P/N	Material	Scope of delivery	Applicable to model
EBMA fixing clips	94990055	Polyamide	n.10 clips	EBMA
BMAA fixing clips	94990056	Polyamide	n.10 clips	BMAA

CURSORS FOR EMSPA - EMSPB - EMSPS



Function	Description	P/N	Function	Description	P/N	Function	Description	P/N
Floating cursor	EMS-CSF.2V EMS-CSF ¹	95490027 95490012	Sliding cursor axial joint high	EMS-CSA.2V EMS-CSA ¹	95490028 95490000	Sliding cursor axial joint low	EMS-CSB.2V EMS-CSB ¹	95490029 95490001

FLOATING CURSORS FOR EMSSA - EMSSS

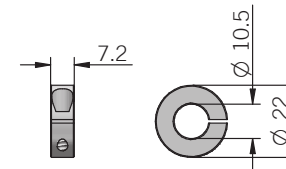


Description	P/N	Material	Scope of delivery
EMS-CAA.2V EMS-CAA ¹	95590016 95590000	aluminum	n.4 M4 brass nuts n.8 D4 brass washers n.4 M4x25 brass screws
EMS-CAB.2V EMS-CAB ¹	95590017 95590001	aluminum	n.4 M4 brass nuts n.4 D4 brass washers n.2 M4x25 brass screws
EMS-CAC.2V EMS-CAC ¹	95590018 95590011	aluminum	/
EMS-CAG12.2V EMS-CAG12 ¹	95590019 95590012	AISI 316 stainless steel	12 mm hole
EMS-CAG15 ¹	95590013	AISI 316 stainless steel	15 mm hole

dimensions in mm

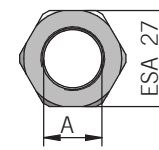
¹ only for spare parts for magnetostrictive transducers sold before February 2020, please contact our office for availability

COLLAR CLAMPING FOR EMS-CAG12 / EMS-CAG15

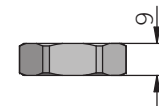


Description	P/N	Material	Scope of delivery
EMS-FG01	95590014	AISI 316 stainless steel	n.1 D3 AISI 316 washer n.1 M3x8 AISI 316 screw

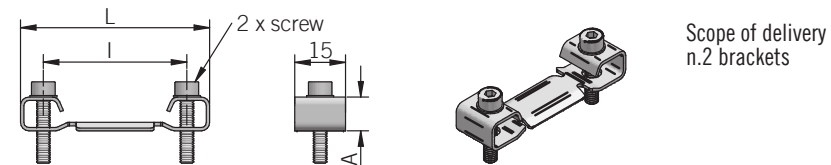
HEX NUT



Description	P/N	Material	A	Applicable to model
EMS-CD01	95590010	AISI 316 stainless steel	M18 x 1,5	EMSSA - EMSSS
EMS-CD02	95590015	AISI 316 stainless steel	3/4" - 16UNF	EMSSA - EMSSS

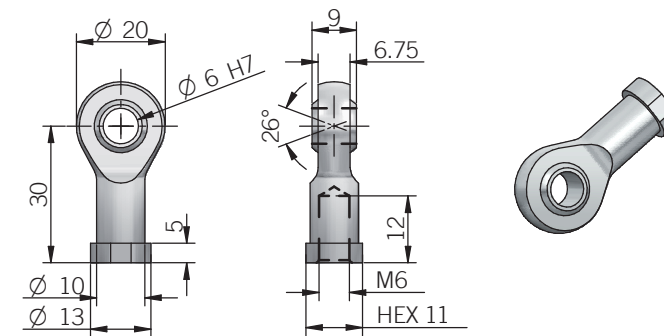


BRACKETS



Description	P/N	Center-to-center (I)	Overall dimension (L)	Height (A)	Screw (M)	Applicable to model
EMSPA-EMSPS-ST42	95490011	42,5	56	12,4	M4	EMSPA - EMSPS
EMSPA-EMSPS-ST50	95490010	50	63,5	12,4	M5	EMSPA - EMSPS
EMSPB-ST42	95490022	42,5	56	10	M4	EMSPB
EMSPB-ST50	95490026	50	63,5	10	M5	EMSPB

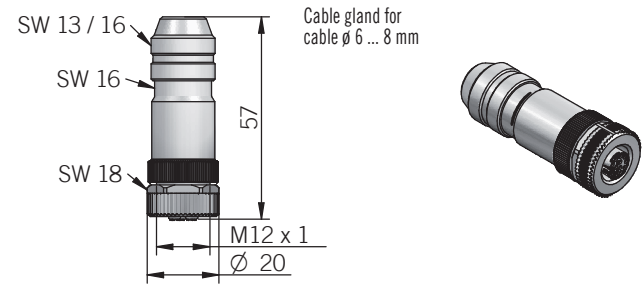
EPLA BALL JOINT



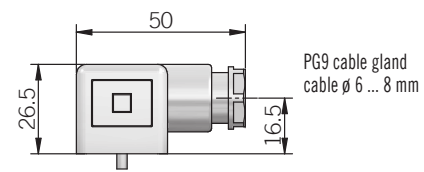
Description	P/N	Material	Scope of delivery	Applicable to model
EPLA-SN01	95390003	Steel	n.1 Ø 6 mm ball joint	EPLA

dimensions in mm

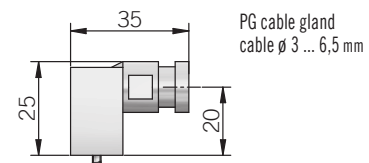
CONNECTORS



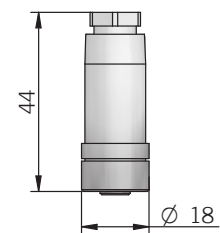
Description	P/N	Material	Termination	Scope of delivery	Applicable to model
CONN. M12FV 12P	22030155	Metal	Solder max 0,25 mm ² / AWG 24	n.1 female M12 A coded (12 pin) connector	TMAA



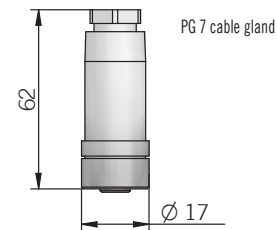
Description	P/N	Material	Termination	Scope of delivery	Applicable to model
EPLA/C-EMSPB C04FV 90°(IP 65)	95390004	Plastic	Screw	n.1 female DIN 43650-A (4 pin) connector	EPLA - EPLC - EMSPB



Description	P/N	Material	Termination	Scope of delivery	Applicable to model
EPLB-C04FV 90° (IP 65)	95390001	Plastic	Screw	n.1 female 43650-C (4 pin) connector	EPLB

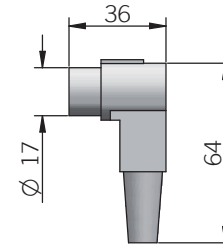


Description	P/N	Material	Termination	Scope of delivery	Applicable to model
EPL-C03FV (IP 40)	95390002	Plastic	Screw	n.1 female C03FV (3 pin) connector	EPLA - EPLB

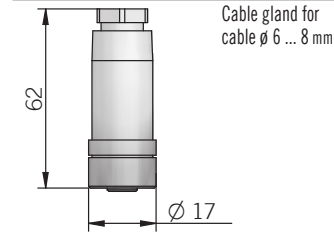


Description	P/N	Material	Termination	Scope of delivery	Applicable to model
EPL-C05FV (IP 67)	95390005	Metal	Screw	n.1 female DIN 43322 (5 pin) connector	EPLA - EPLB - EPLC - EPLT

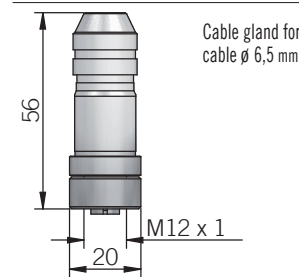
dimensions in mm



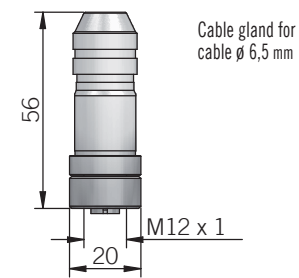
Description	P/N	Material	Termination	Scope of delivery	Applicable to model
EPL-C05FV 90° (IP 40)	95390007	Plastic	Screw	n.1 female DIN 43322 (5 pin)connector	EPLA - EPLB - EPLC - EPLT



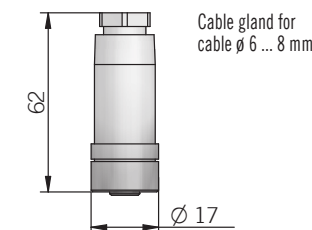
Description	P/N	Material	Termination	Scope of delivery	Applicable to model
EMS-C08FV (IP 67)	95490025	Metal	Screw	n.1 female M16 DIN 45326 (8 pin) connector	EMSPA - EMSPS



Description	P/N	Material	Termination	Scope of delivery	Applicable to model
EMS-S05FV (IP 67)	95490002	Metal	Screw	n.1 female M12 A coded (5 pin) connector	EMSPA - EMSPB



Description	P/N	Material	Termination	Scope of delivery	Applicable to model
EMS-S08FV (IP 67)	95490024	Metal	Screw	n.1 female M12 A coded (8 pin) connector	EMSPA - EMSPS



Description	P/N	Material	Termination	Scope of delivery	Applicable to model
EMS-C06FV (IP 67)	95490015	Metal	Screw	n.1 female M16 DIN 45322 (6 pin) connector	EMSPA - EMSPS - EMSSA - EMSSS

dimensions in mm